

SNOWFACE

COMPANY NAME : SNOWFACE Co., Ltd
บริษัท สโนว์เฟซ จำกัด

LOCATION : 261/11 MOO 8 Surasak,
Sriracha, Chonburi 20110, Thailand
261/11 หมู่ 8 ต.สุรศักดิ์ อ.ศรีราชา
จ.ชลบุรี 20110

CAPITAL : 2,000,000.00 THB
ESTABLISHED IN : 21 June 2006
EMPLOYEE : 40 Persons
TAX ID : 0205549017642
TEL. ; 038-060151
FAX. : 038-060108
E-MAIL : tpichit@snowfacethailand.com
Tel.0891669394
ssayan@snowfacethailand.com
Tel.0891559394

WEBSITE : <http://www.snowfacethailand.com>
Facebook : <https://www.facebook.com/snowfacethailand>

SNOWFACE

OUR FACTORY :



SNOWFACE

Service scopes

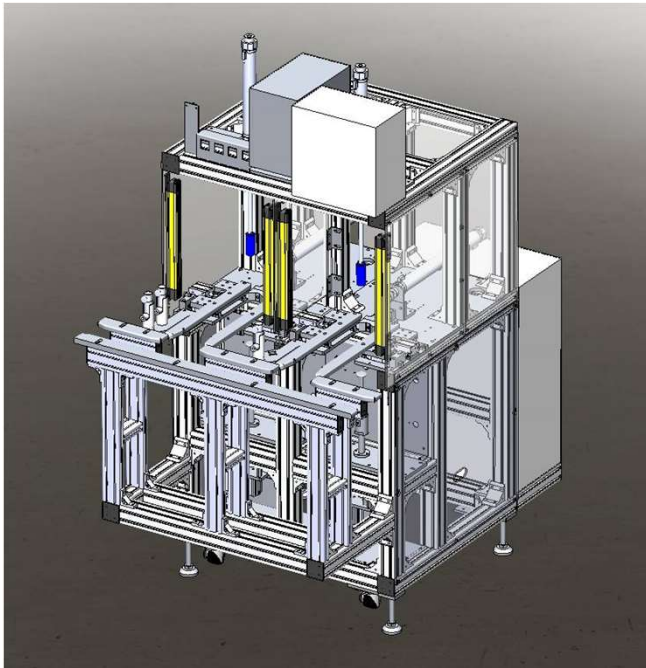
Presentation

SNOWFACE

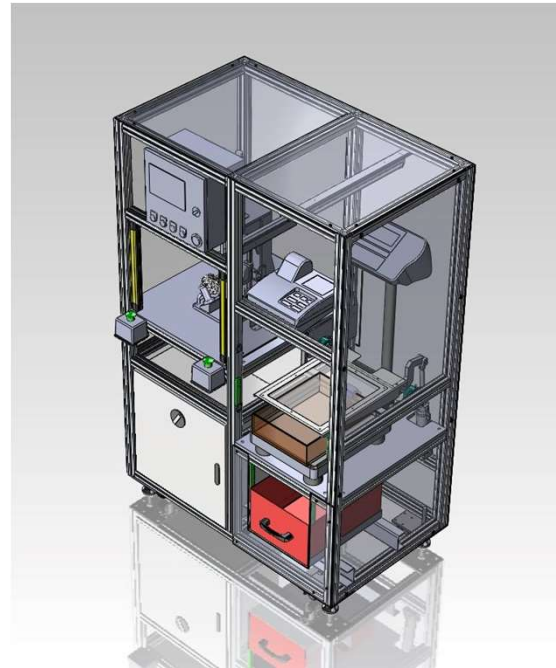
Capability Over View

- Automation Design
- Conveyor system
- Palletizer System
- Machining
- Machine Design
- Rack System
- Sheet Metal Work
- Make to Order/Fabrication

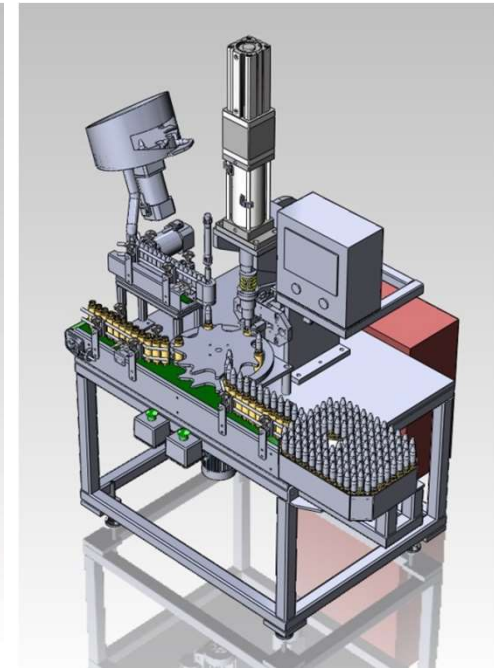
- Machine Design



- Pipe Leak Tester
Customer : **Bosch Automotive**

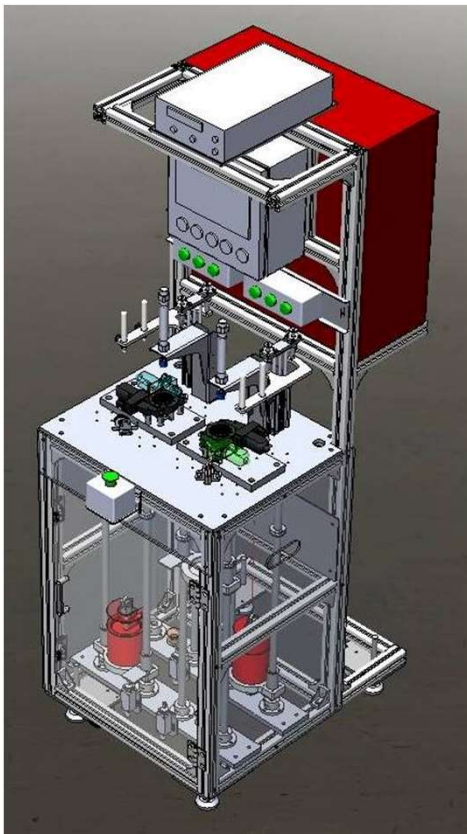


- Inspection machine
Customer : **Bridgestone**

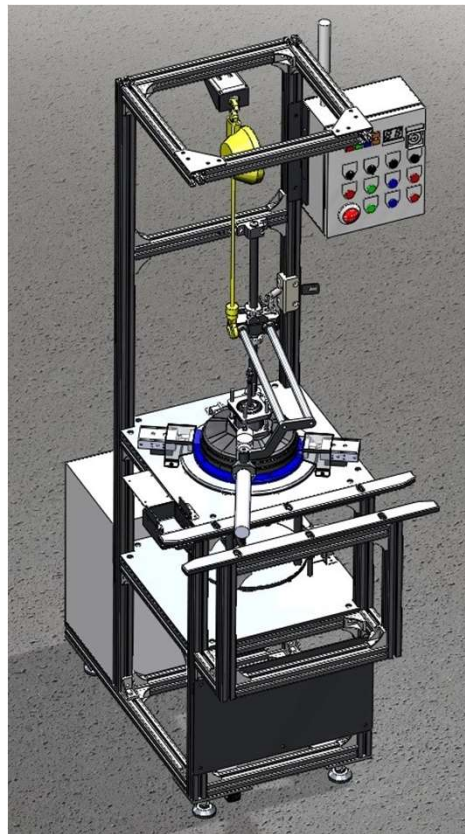


- Bullet assy Machine
Customer : **Thai Navy**

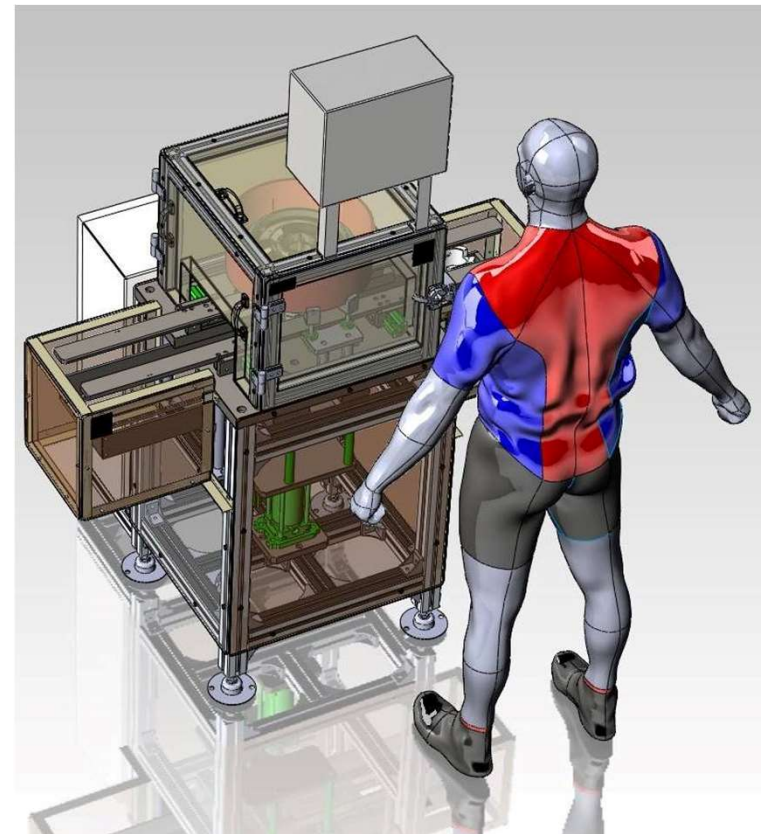
- Machine Design



- Current inspection Machine
Customer : **Bose**

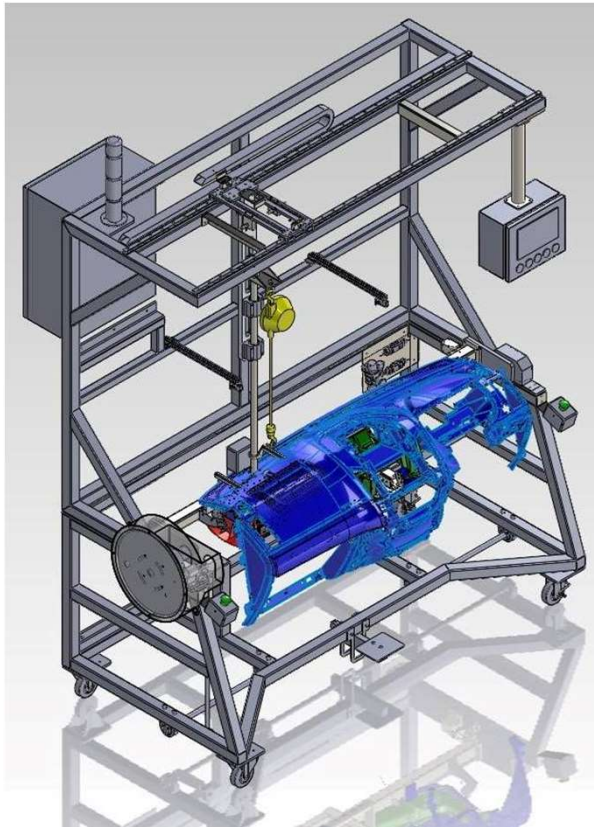


- Bracket Tightening Machine
Customer : **Bosch Automotive**

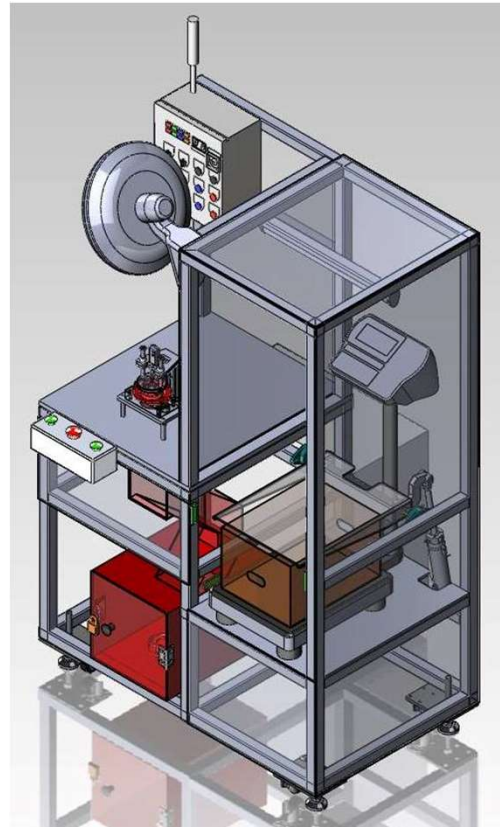


- Front shelf flange Heating
Customer : **Bosch Automotive**

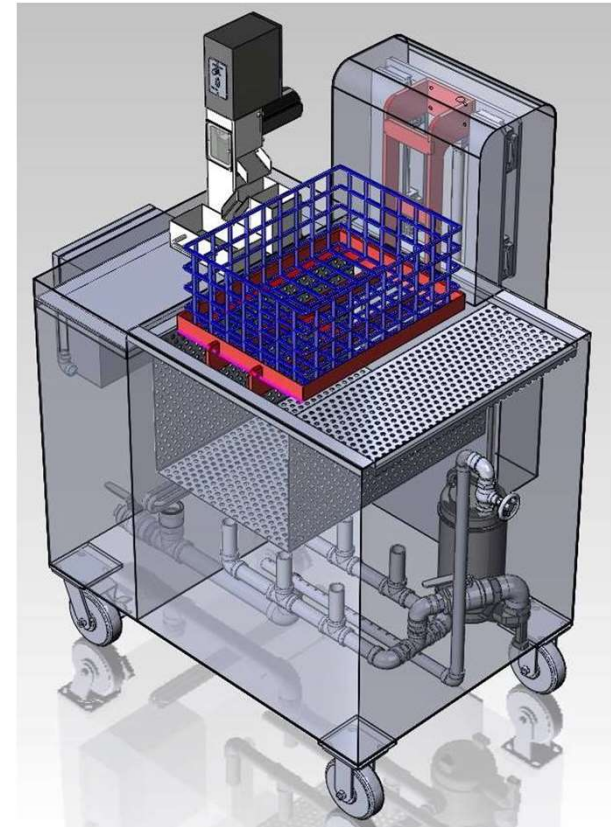
- Machine Design



- Airbag assembly & Inspection
Customer : **Faurecia**

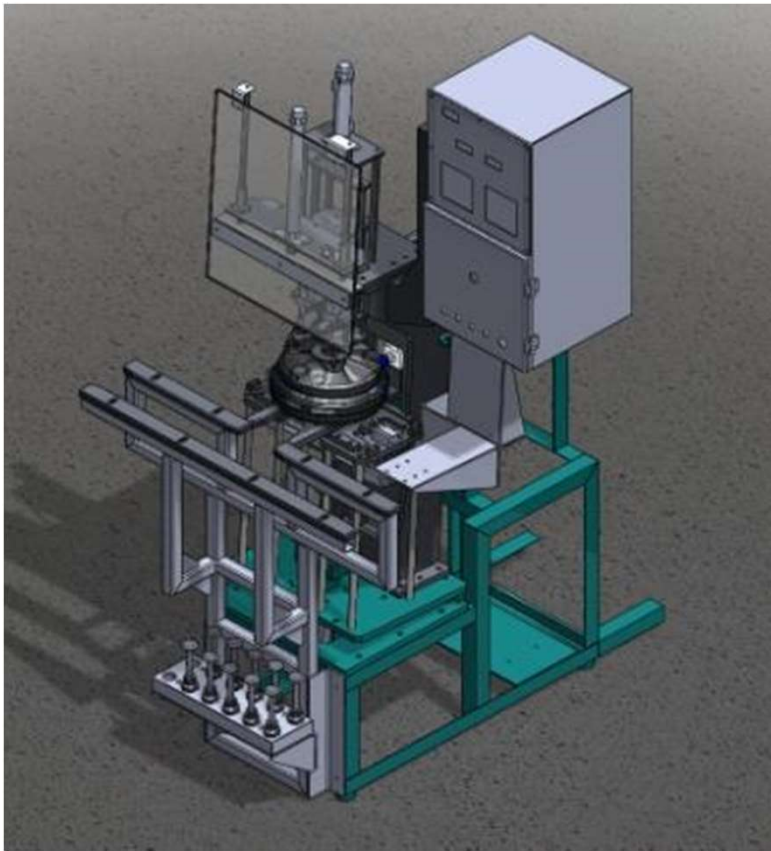


- Inspection Machine
Customer : **Bridgestone**

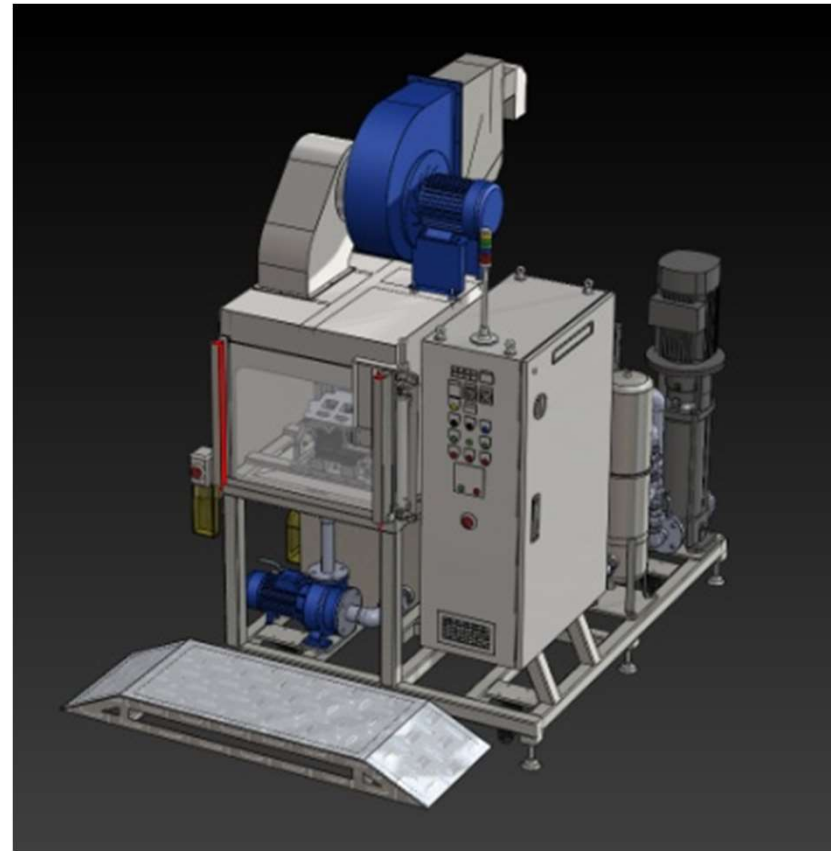


- Washing Machine
Customer : **NTN**

- Machine Design



- Stroke leak test
Customer : **Bosch Automotive**

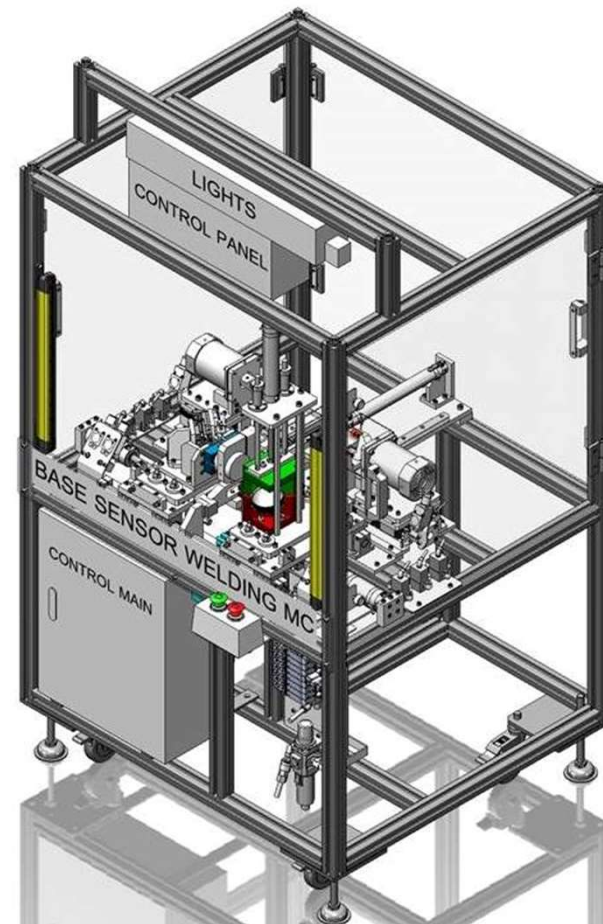


- Washing machine
Customer : **Kawasaki motor enterprise**

- Machine Design

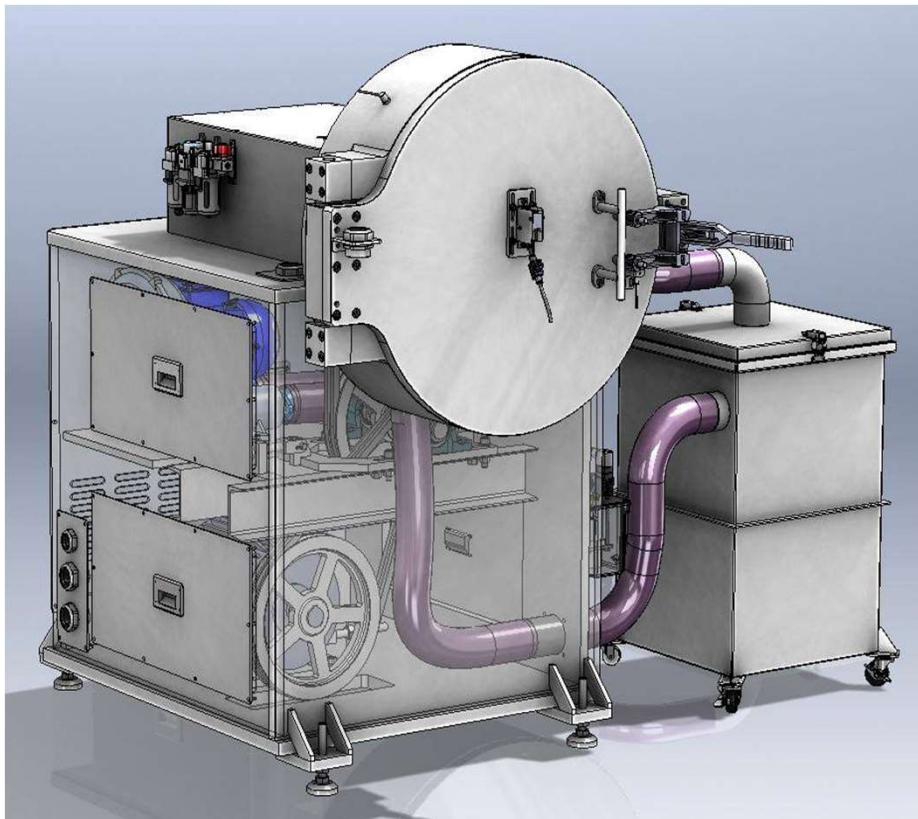


- Goodness Factor Machine
Customer : **Bosch Automotive**

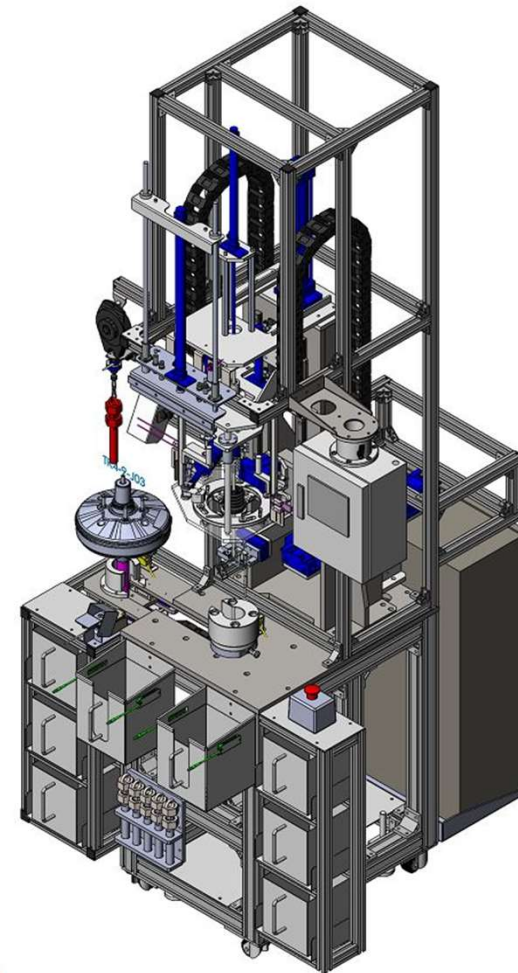


- Base Sensor Welding Machine
Customer : **Thai Excell Manufacturing**

- Machine Design

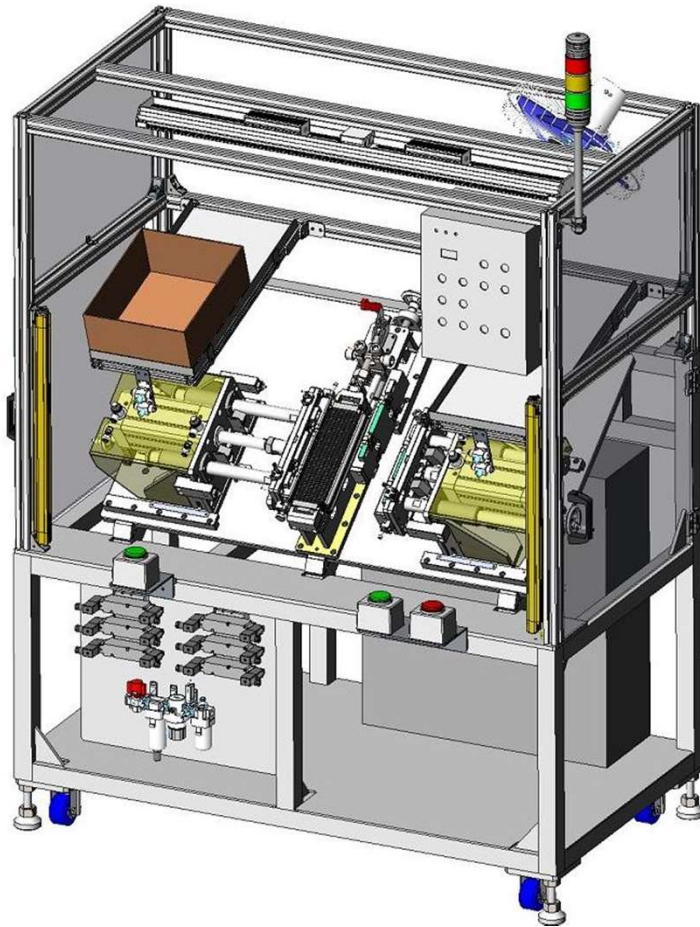


- Cutting Wheel Rotary Test Machine
Customer : **Dia Resibon**

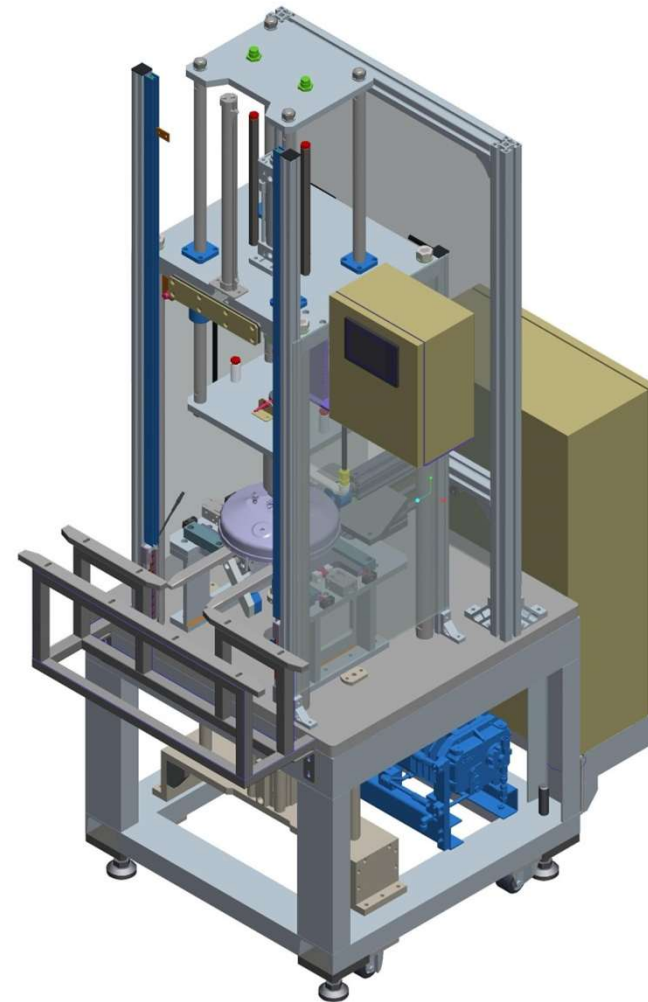


- Guard Assembly Machine
Customer : **Bosch Automotive**

- Machine Design



- Core Builder Machine
Customer : **Air International**



- Stroke Generated Machine
Customer : **Bosch Automotive**

- Machine Design



- Goodness Factor Machine
Customer : **Bosch Automotive**



- Base Sensor Welding Machine
Customer : **Thai Excell Manufacturing**



- Diaphragm Repositioning Machine
• Customer : **Bosch Automotive**

- Machine Design

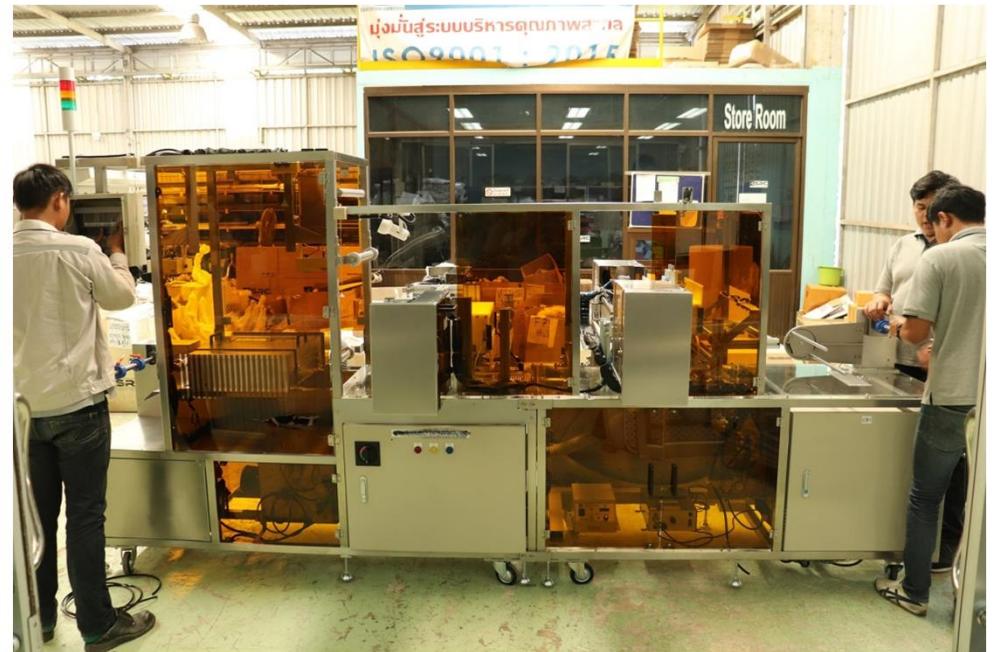
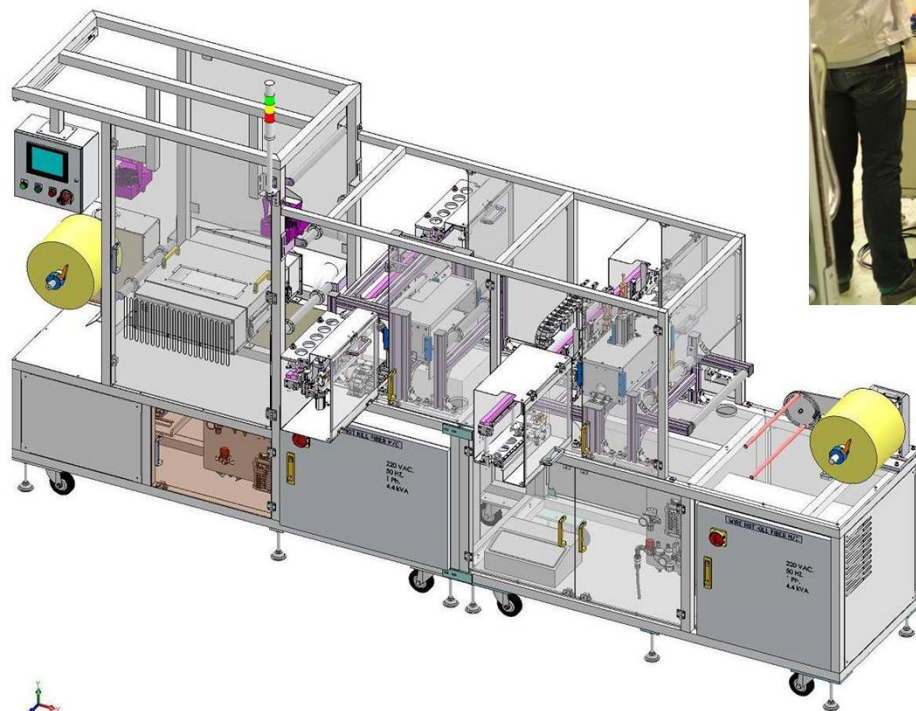


- Clevis Assembly Machine
Customer : **Bosch Automotive**



- Cap Detection Machine
Customer : **Bosch Automotive**

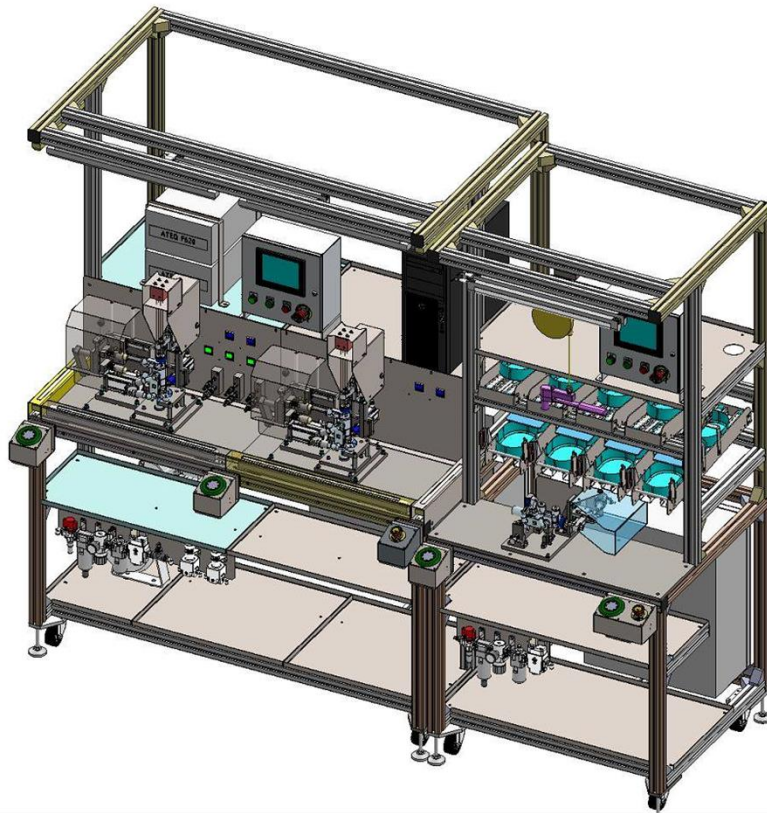
- Machine Design



- Automatic Fiber clothes removing Machine
- Customer : **Foamtec Medical Thailand**



- Machine Design



- Leakage Test Machine
- Customer : **Bosch Automotive**

- Vision Inspection Machine



Machine : Automated Optical Inspection

PLC : Mitsubishi

Servo : Mitsubishi

Camera : KEYENCE

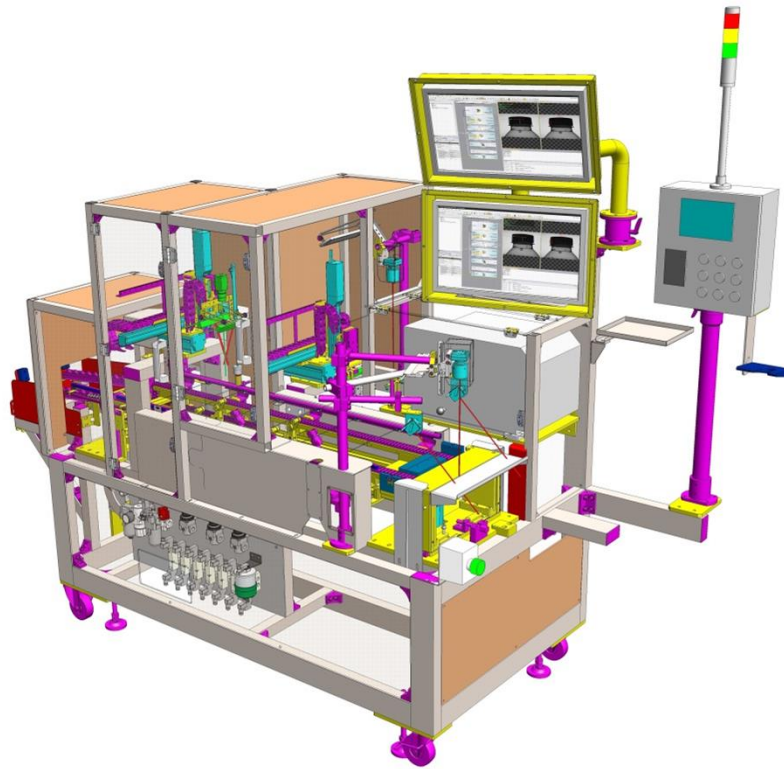
SCARA Robot : YAMAHA

Sensor : KEYENCE, OMRON

Touch Screen : PROFACE

Customer : Honeywell Electronic Materials(Thailand)

- Vision Inspection Machine



Machine : Automatic labeling and Inspection

PLC : Mitsubishi

Camera : KEYENCE

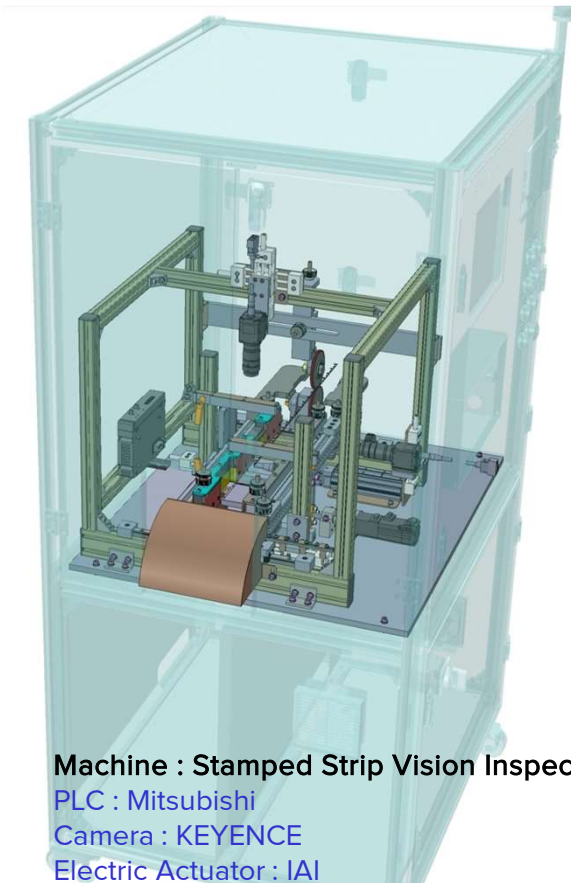
Electric Actuator : IAI

Sensor : KEYENCE, OMRON

Touch Screen : PROFACE

Customer : **Honeywell Electronic Materials(Thailand)**

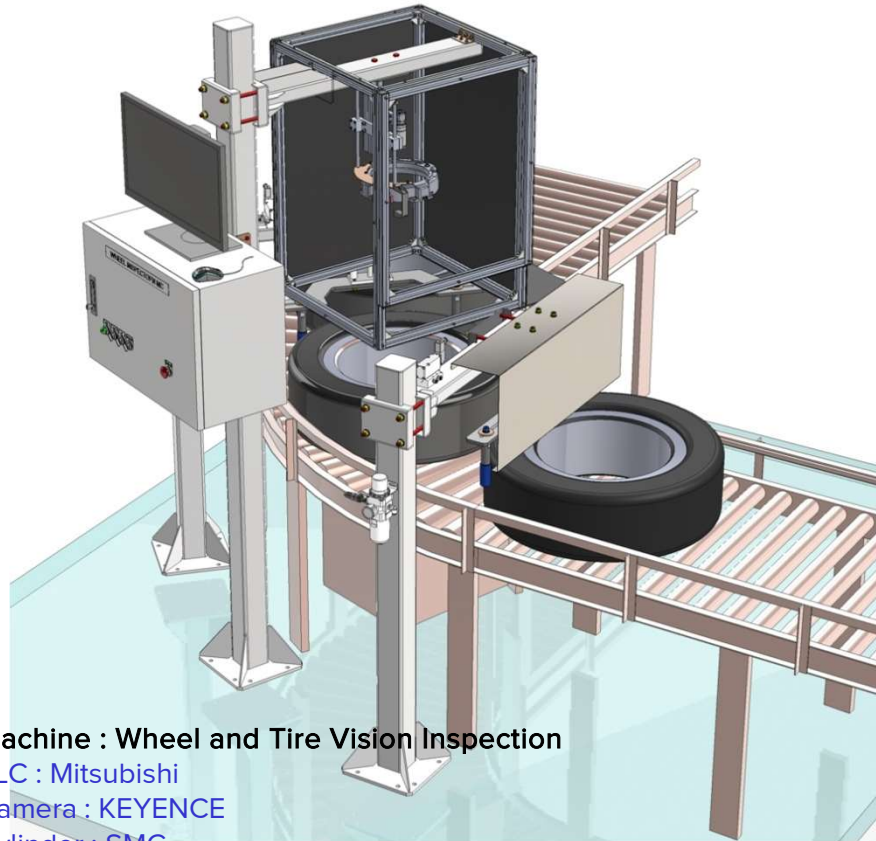
- Vision Inspection Machine



Machine : Stamped Strip Vision Inspection
PLC : Mitsubishi
Camera : KEYENCE
Electric Actuator : IAI
Sensor : KEYENCE, OMRON
Touch Screen : Mitsubishi
Customer : **Patterer Technical Parts Co.,Ltd.**



- Vision Inspection Machine



Machine : Wheel and Tire Vision Inspection

PLC : Mitsubishi

Camera : KEYENCE

Cylinder : SMC

Sensor : KEYENCE, OMRON

Touch Screen : PROFACE

Customer : TT Assembly East Co.,Ltd.

- Vision Inspection Machine

Machine : Reservoir Cap Inspection Machine

PLC : Mitsubishi

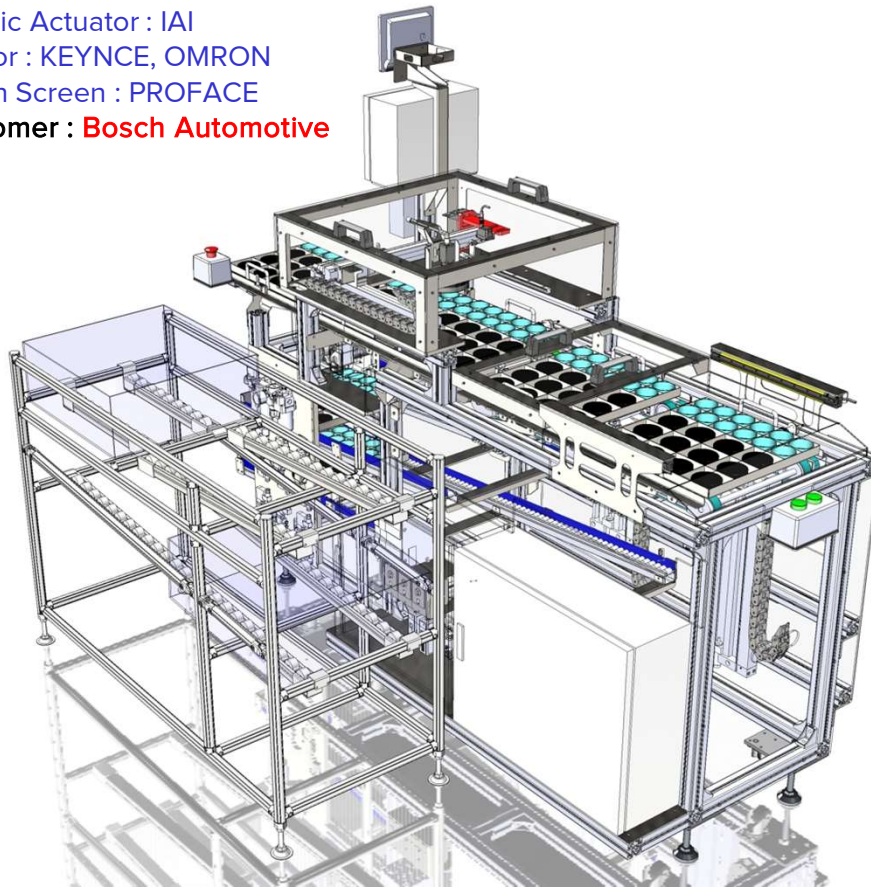
Camera : COGNEX

Electric Actuator : IAI

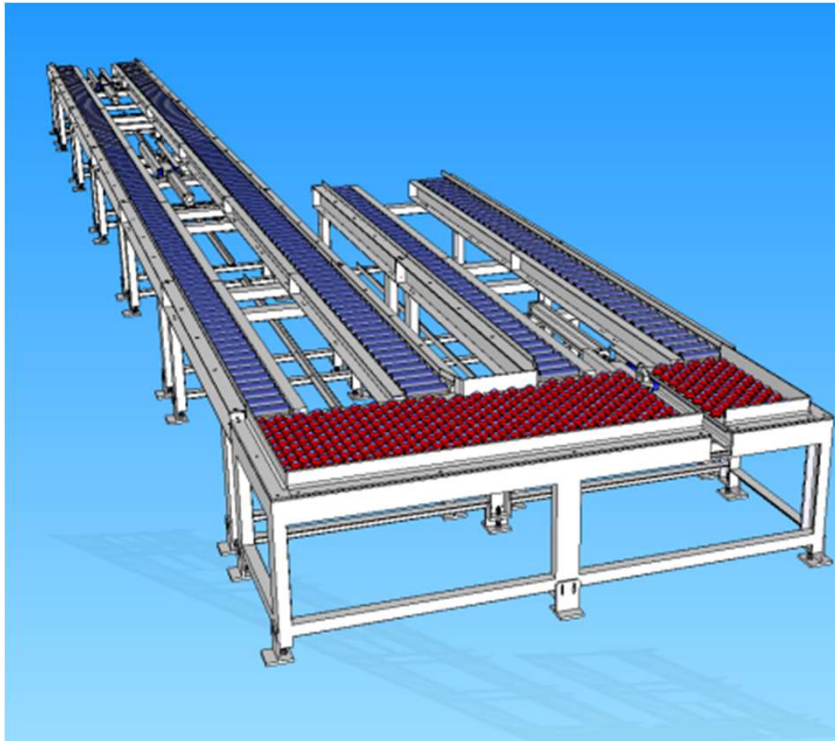
Sensor : KEYNCE, OMRON

Touch Screen : PROFACE

Customer : **Bosch Automotive**



- Conveyor System



- Conveyor system
Customer : **Siam Denso**

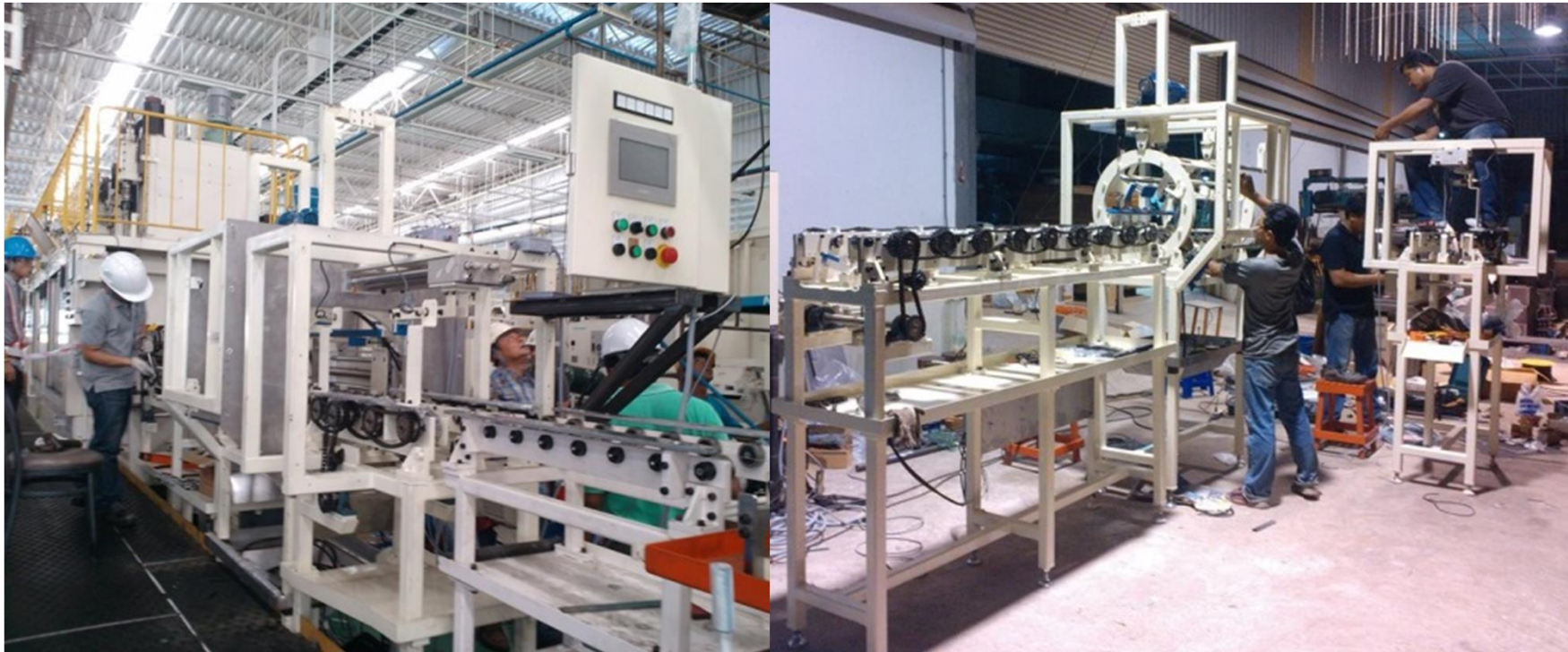
- Conveyor system
Customer : **Oryx Automation**

- Palletizer System



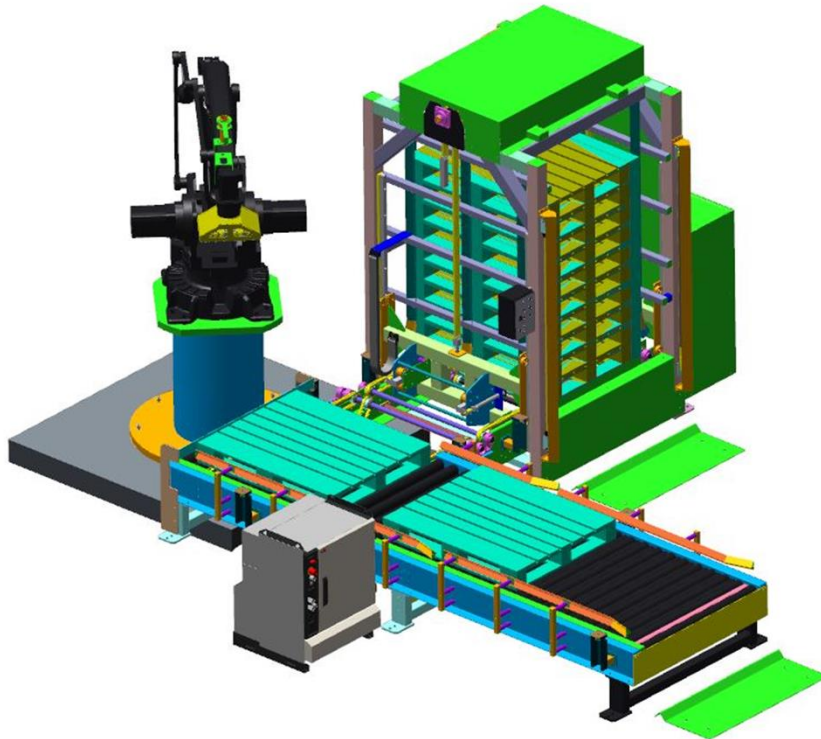
- Palletizer system
Customer : **Select Harvest, Australia**

- Conveyor System



- Air Blow Machine with Conveyor
Customer : **ISUZU Engine Manufacturing**

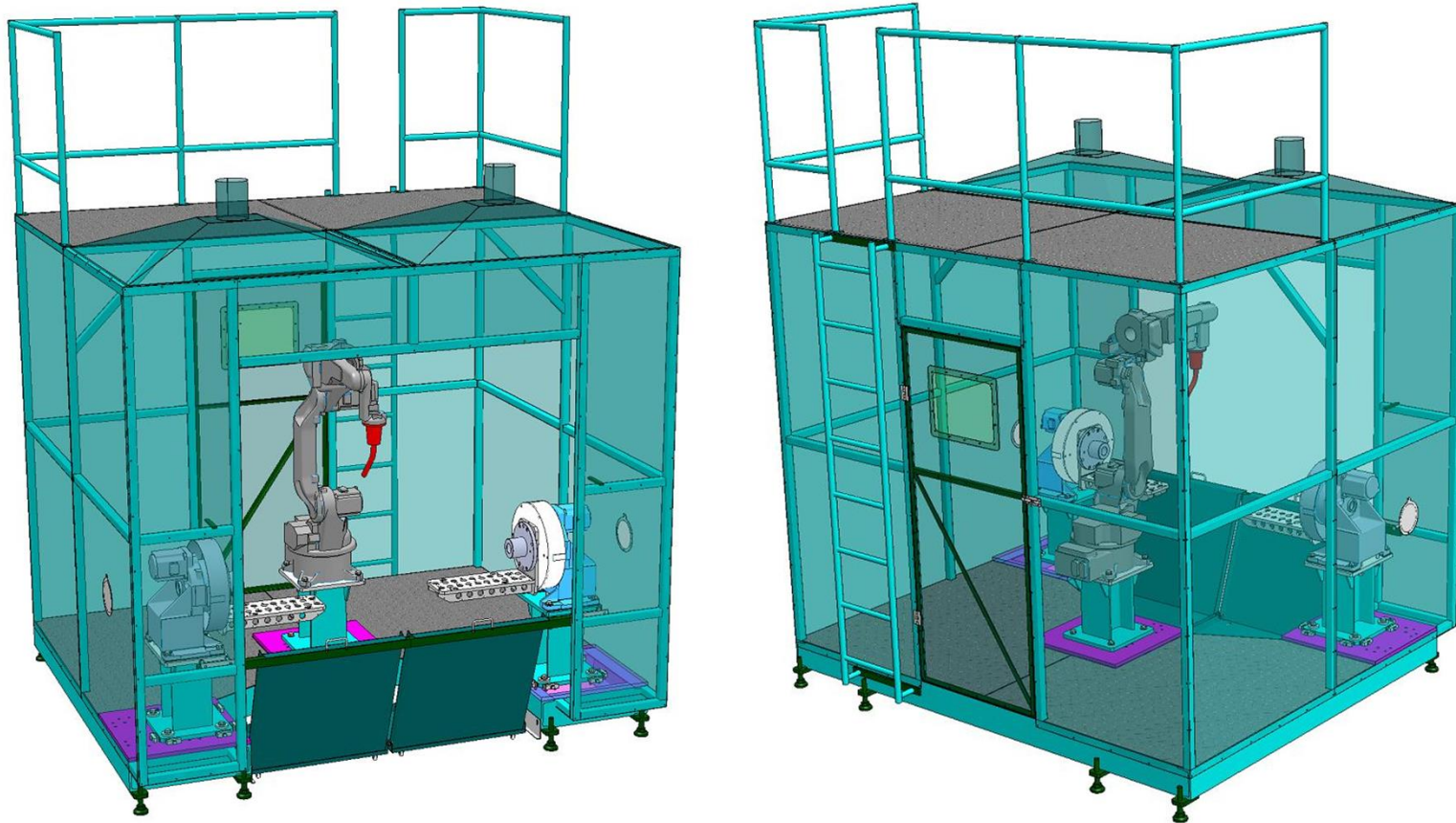
- Conveyor System



- Palletizer
Customer : **Oryx Automation**

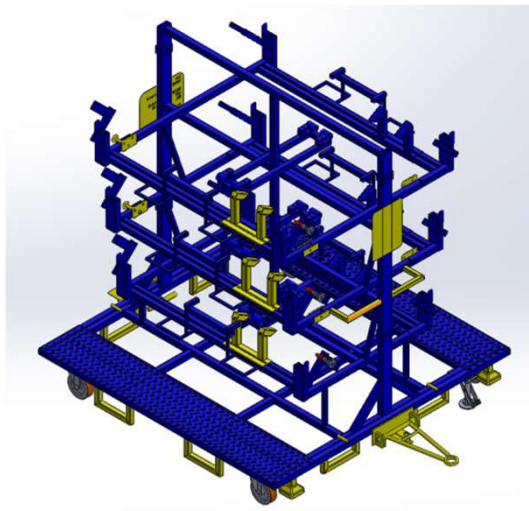


- Structure System



Customer : **Sakura Industry(Thailand)**

- Rack System



• Machining

Machineries :

1. CNC Milling Machining Center	5 Units
2. Milling Machine	6 Units
3. CNC Lathe	2 Units
4. Lathe	3 Units
5. Surface Grinding	2 Units
6. Horizontal Band Saw	1 Unit
7. Sharping M/C	3 Units
8. Tapping M/C	2 Units
9. Wire Cut M/C (SODICK)	1 Unit
10. Horizontal Projector	1 Unit
11. Vernier caliper	30 Units
12. Vernier High Gauge	2 Units
13. Micrometer	17 Units
14. Dial indicator	6 Units
15. Gauge Block	1 Unit
16. Shearing Machine	1 Unit



• Sheet metal Machining

- | | |
|--|---------|
| 1. Mitsubishi laser cutting M/C ML3015ex | 1 Unit |
| 2. Mitsubishi laser processing M/C ML2512HVP | 1 Unit |
| 3. AMADA CNC Bending machine | 1 Unit |
| 4. AMADA NC Bending machine | 1 Unit |
| 3. Roll Machine | 1 Unit |
| 4. Shearing Machine | 1 Unit |
| 4. Plasma cutting machine | 1 Unit |
| 5. Spot welding machine | 1 Unit |
| 6. TIG welding machine | 4 Units |
| 7. CO2 welding machine | 4 Units |

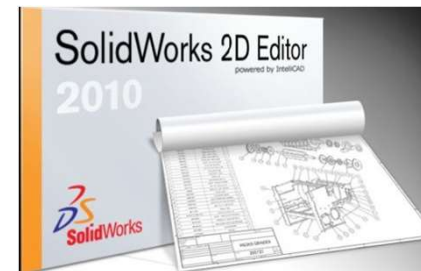


• Design Capacity

- | | |
|-------------------------------|-----------|
| 1. Personal Computer , PC | 15 Units |
| 2. Solid Work 2016 License | 3 Units |
| 3. 2D Editor Program | 3 Unit |
| 4. Mechanical Design Engineer | 5 Persons |
| 5. Electrical Design Engineer | 3 Persons |

• Control System Design

1. SolidWork Electrical
2. SolidWork 3D Wiring
3. PLC & HMI
 - Rexroth L & V Controls
 - Siemens Step 7 Controls
 - Bosch CL Control
 - Omron
 - Mitsubishi
 - Servo Press - Kistler, Promess & Bosch
 - Tightening System – Bosch/Rexroth
 - Sutron
 - Proface
 - Camera Inspection System



SNOWFACE

- Ours Customer



DENSO



ORYX[®]
AUTOMATION



ICHIKOH



SNOWFACE

- Ours Customer



Honeywell

